



SERIES RT

Medium Duty Spring Retractable Reels



RT650-OLP

Spool is constructed from a rugged engineered plastic

Individually powder coated components offer maximum protection from premature corrosion

Steel guide arm and base are stamped with ribs and gussets to ensure maximum strength and lightest possible weight

Widened ratchet and latch pawl design greatly reduces wear and increases service life

Industrial-grade drive spring completely containerized and permanently sealed

Inlet hose is plumbed into the base to eliminate the risk of undue stress on the swivel

Guide arm adjusts to seven positions



AIR



WATER

I.D. Hose Sizes

1/4", 3/8", 1/2"

Fluid Path Materials

Internal Fluid Path	Steel
Swivel Assembly	Copper
Swivel Seal	Buna



Interactive Reel Catalog



1.800.444.3134 | reelcraft.com

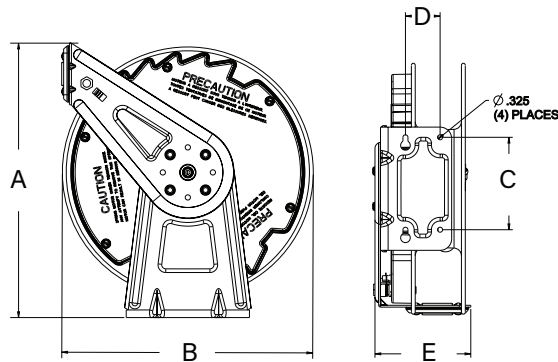
Model with Hose and Bumper	Shipping Weight		Hose I.D.		Hose O.D.		Hose Length		Max Pressure		NPT(M) Hose Outlet	NPT(F) Reel Inlet	NPT(F) Reel Outlet	Size Index #
	lbs	kg	in	mm	in	mm	ft	m	psi	bar	in	in	in	
Low Pressure Air/Water Reels														
Maximum Temperature 150°F (65°C)					Maximum Working Pressure is at 70°F (20°C)									
RT435-OLP	21	10	1/4	6	.475	12	35	11	300	21	1/4	3/8	1/4	1
RT450-OLP	24	11	1/4	6	.475	12	50	15	300	21	1/4	3/8	1/4	1
RT650-OLP	27	12	3/8	10	.600	15	50	15	300	21	1/4	1/2	1/4	1
RT835-OLP	27	12	1/2	13	.750	19	35	11	300	21	1/2	1/2	1/2	1
RT850-OLP	37	17	1/2	13	.750	19	50	15	300	21	1/2	1/2	1/2	2

Reels supplied with PVC hose.

Model without Hose and Bumper	Shipping Weight		Hose Capacity			Max Pressure		NPT(F) Reel Inlet	NPT(F) Reel Outlet	Size Index #			
	lbs	kg	Hose I.D.		Hose O.D.	Hose Length		in	in				
Low Pressure Air/Water Reels													
Maximum Temperature 150°F (65°C)													
RT405-OLP	21	10	1/4	6	.475	12	50	15	300	21	3/8	1/4	1
RT605-OLP	22	10	3/8	10	.600	15	50	15	300	21	1/2	1/4	1
RT802-OLP	27	12	1/2	13	.750	19	35	11	300	21	1/2	1/2	1
RT805-OLP	25	11	1/2	13	.750	19	50	15	300	21	1/2	1/2	2

Dimensions - Size Index

	1		2	
	in	mm	in	mm
A	17 7/8	454	17 7/8	454
B	16 1/2	419	16 1/2	419
C	6	152	6	152
D	2 1/4	57	2 1/4	57
E	6 1/4	159	7 3/4	197



600992 - Wall Mounted Universal Swing Bracket

ACCESSORIES



Pivot Base - Mount

S600608 - 340° Pivot Base



Swing Bracket - Mount

600992 - Wall Mounted Universal Swing Bracket



Swing Bracket - Mount

600626 - Wall Mounted Universal Swing Bracket



Inlet Hoses

Visit reelcraft.com for more information.

